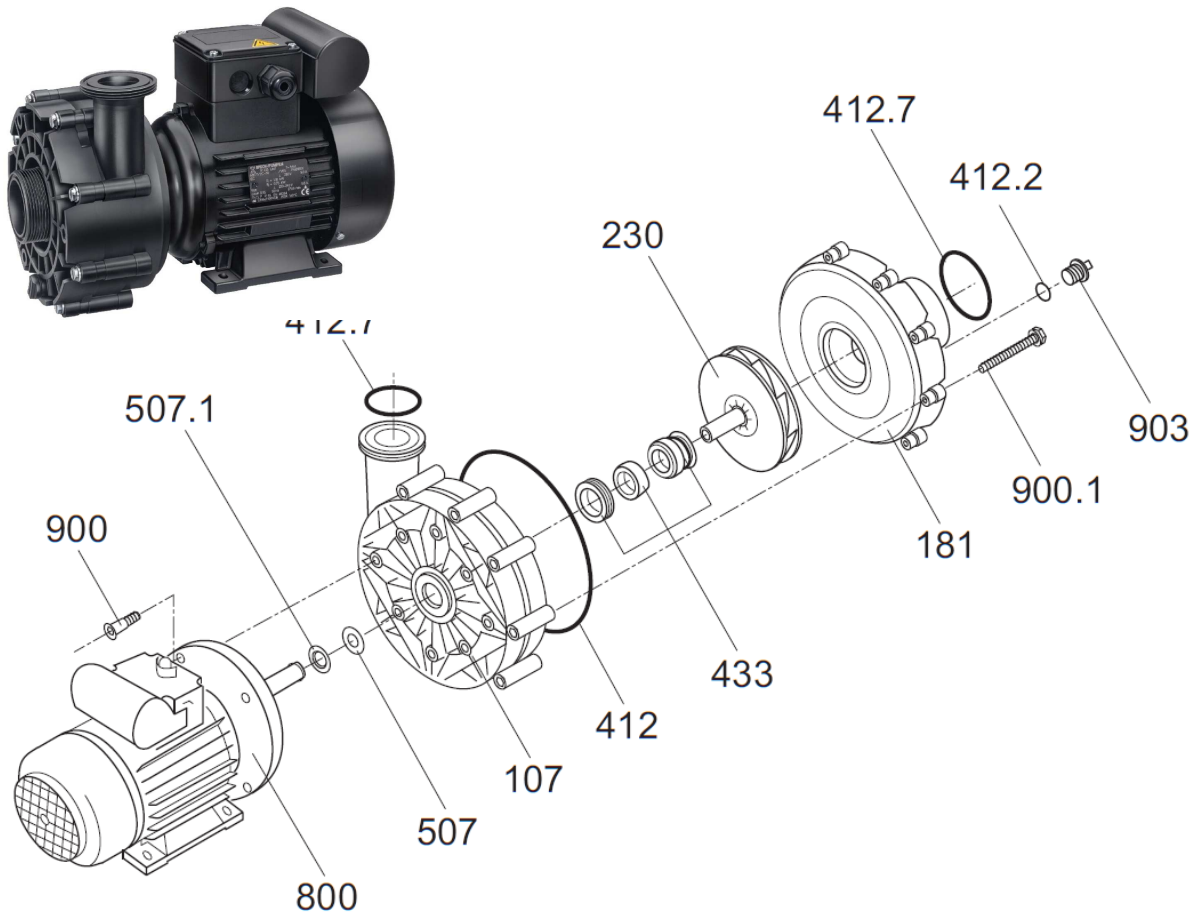
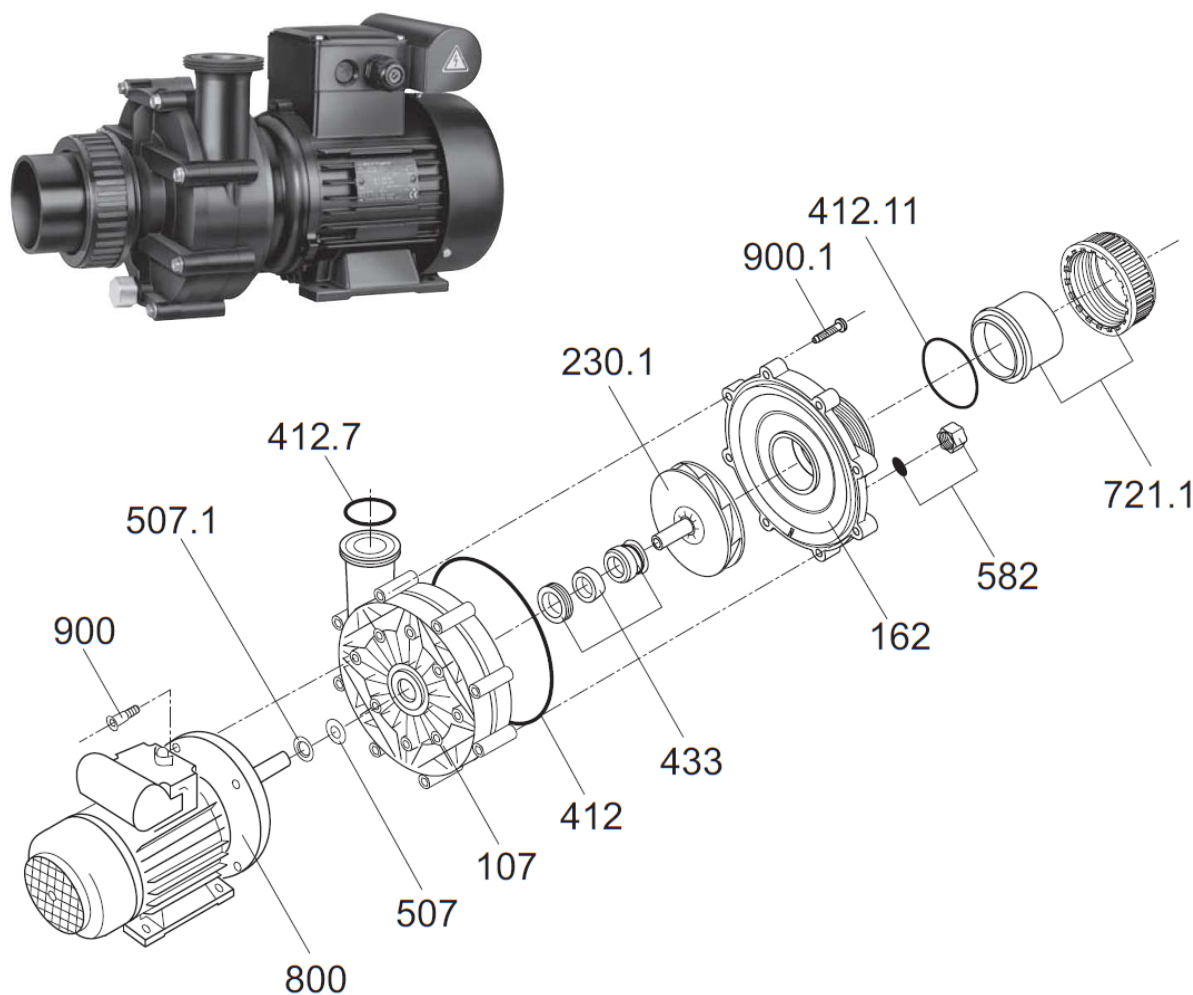


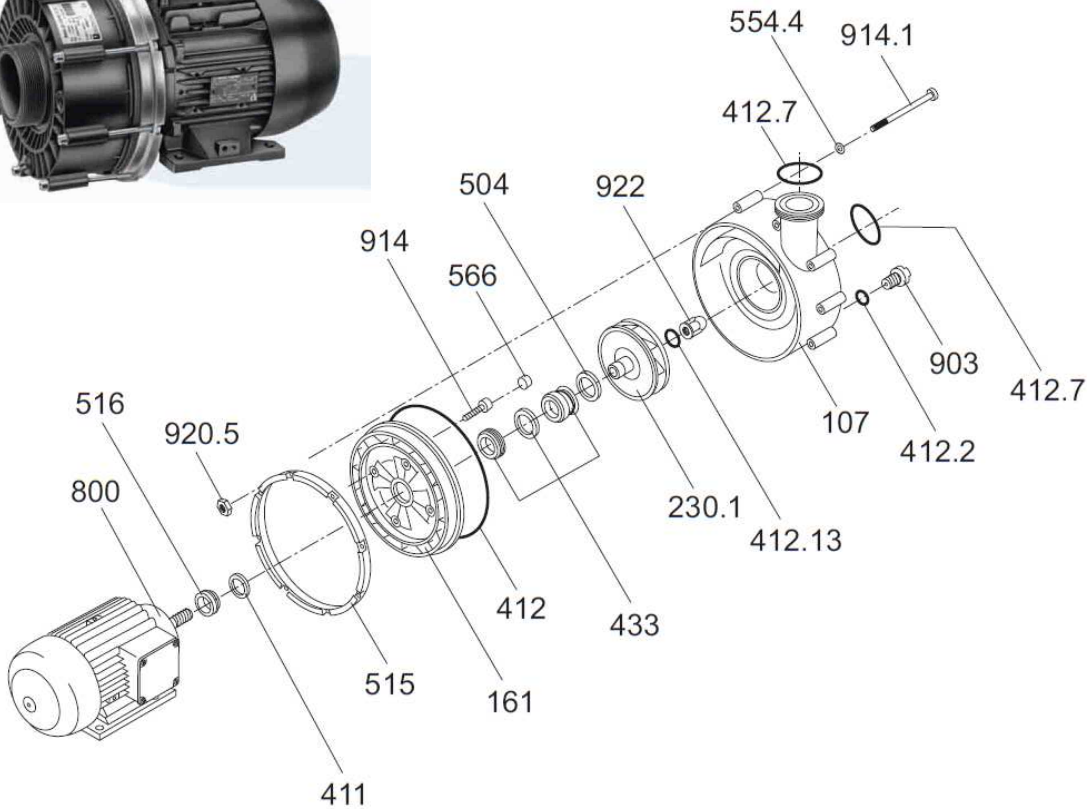
| Nr części BADU 21-40                                                                                  | Ilość | Art.nr       | Cena katalogowa netto w EURO |
|-------------------------------------------------------------------------------------------------------|-------|--------------|------------------------------|
| 107                                                                                                   | 1     | 2923.410.704 | 65,74                        |
| 107,21-40/54 do BADU Jet active,active version 2 i 21-40/55 do BADU Jet standard i standard version 2 | 1     | 2923.410.705 | 65,74                        |
| 181                                                                                                   | 1     | 2923.418.100 | 58,39                        |
| 181,21-40/54H do BADU Jet active                                                                      | 1     | 2307.703.001 | 115,27                       |
| 181,21-40/54H do BADU Jet active version 2                                                            | 1     | 2331.005.001 | 115,27                       |
| 181,21-40/55 do BADU Jet standard i standard version 2                                                | 1     | 2307.503.001 | 167,04                       |
| 230.1 do BADU 21-40/53 G                                                                              | 1     | 2923.423.001 | 53,28                        |
| 230.1 do BADU 21-40/53H G                                                                             | 1     | 2923.423.002 | 92,23                        |
| 230.1 do BADU 21-40/54 G                                                                              | 1     | 2923.423.012 | 53,28                        |
| 230.1 do BADU 21-40/54 G 400V.                                                                        |       | 2923.423.003 | 53,28                        |
| 230.1 do BADU 21-40/54H do BADU Jet active i active version 2                                         | 1     | 2923.423.013 | 92,23                        |
| 230.1 do BADU 21-40/54H G                                                                             | 1     | 2923.423.004 | 92,23                        |
| 230.1 do BADU 21-40/55 G                                                                              | 1     | 2923.423.005 | 53,28                        |
| 230.1 do BADU 21-40/55 do BADU Jet standard i standard version 2                                      | 1     | 2923.423.041 | 53,28                        |
| 230.1 do BADU 21-40/54H G                                                                             | 1     | 2923.423.022 | 92,23                        |
| 230.1 do BADU 21-40/55H9 G PU                                                                         | 1     | 2923.423.029 | 92,23                        |
| 230.1 do BADU 21-40/56 G                                                                              | 1     | 2923.423.015 | 53,28                        |
| 230.1 do BADU 21-40/56H G                                                                             | 1     | 2923.423.022 | 92,23                        |
| 230.1 do BADU 21-40/58 G                                                                              | 1     | 2923.423.024 | 53,28                        |
| 230.1 do BADU 21-40/58H G                                                                             | 1     | 2923.423.017 | 92,23                        |
| 412                                                                                                   | 1     | 2923.441.200 | 2,09                         |
| 412.2                                                                                                 | 1     | 2923.541.220 | 0,42                         |
| 412.7                                                                                                 | 1     | 2923.441.270 | 0,82                         |
| 433                                                                                                   | 1     | 2920.143.310 | 25,42                        |
| 507                                                                                                   | 1     | 5879.881.000 | 1,73                         |
| 507.1                                                                                                 | 1     | 2923.450.701 | 2,59                         |



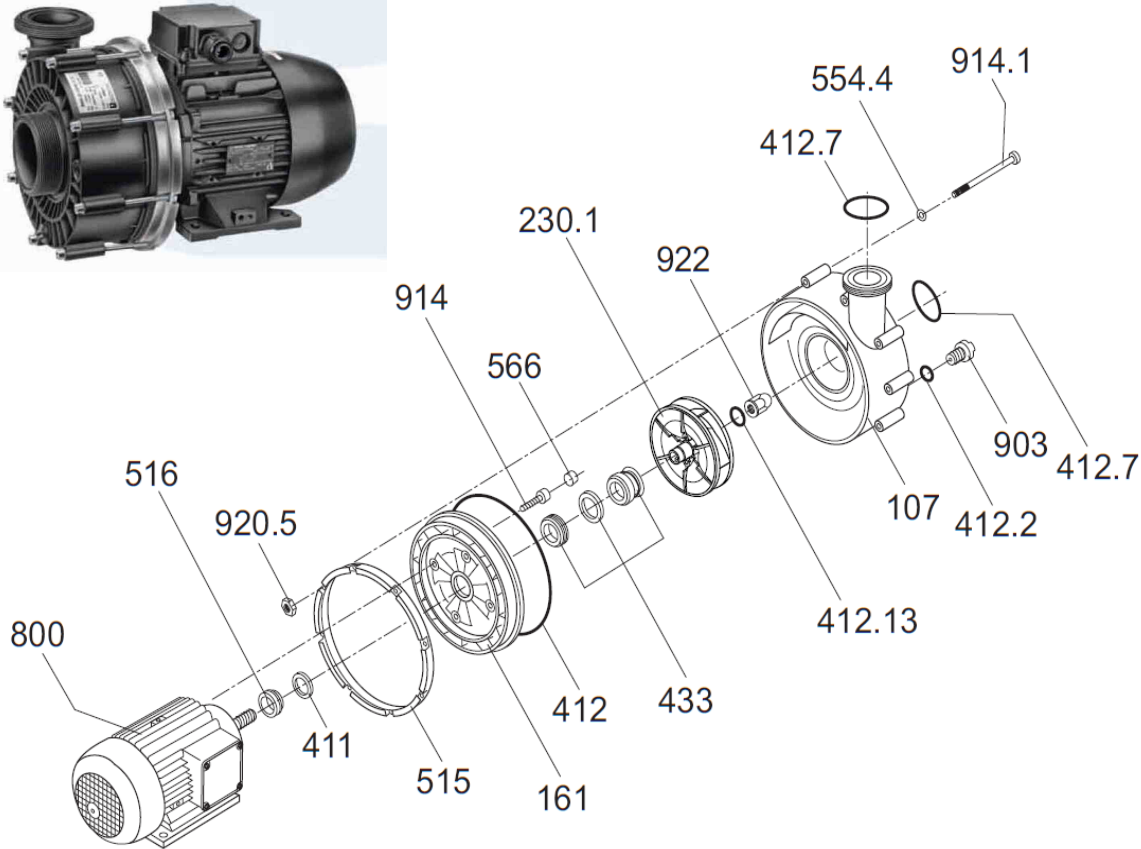
| Nr części BADU 21-40                                                                  | Ilość | Art.nr              | Cena katalogowa netto w EURO |
|---------------------------------------------------------------------------------------|-------|---------------------|------------------------------|
| 800 - 0,55 kW , 230V                                                                  | 1     | 2340.336.038        | 460,80                       |
| 800 - 0,75 kW , 230V                                                                  | 1     | 2340.346.038        | 540,00                       |
| 800 -1,00 kW , 230V                                                                   | 1     | 2340.356.038        | 565,92                       |
| 800 - 1,50 kW , 230V                                                                  | 1     | 2340.586.038        | 623,52                       |
| 800 - 0,55 kW , 400V                                                                  | 1     | 2940.055.000        | 584,64                       |
| 800 - 0,75 kW , 400V                                                                  | 1     | 2340.346.137        | 584,64                       |
| 800 -1,00 kW , 400V                                                                   | 1     | 2340.566.037        | 757,44                       |
| 800 - 1,50 kW , 400V                                                                  | 1     | 2340.586.037        | 668,16                       |
| 900 - do BADU 21-40/53 G + H G i<br>21-40/54 G + H + H G                              | 4     | 2923.490.000        | 1,28                         |
| 900 - do BADU 21-40/55 + G + H G + H9 G PU, 21-<br>40/56 G + H G und 21-40/58 G + H G | 4     | 2923.490.001        | 1,14                         |
| 900.1                                                                                 | 8     | 2923.490.010        | 0,73                         |
| 903                                                                                   | 1     | <b>2923.591.201</b> | 0,59                         |



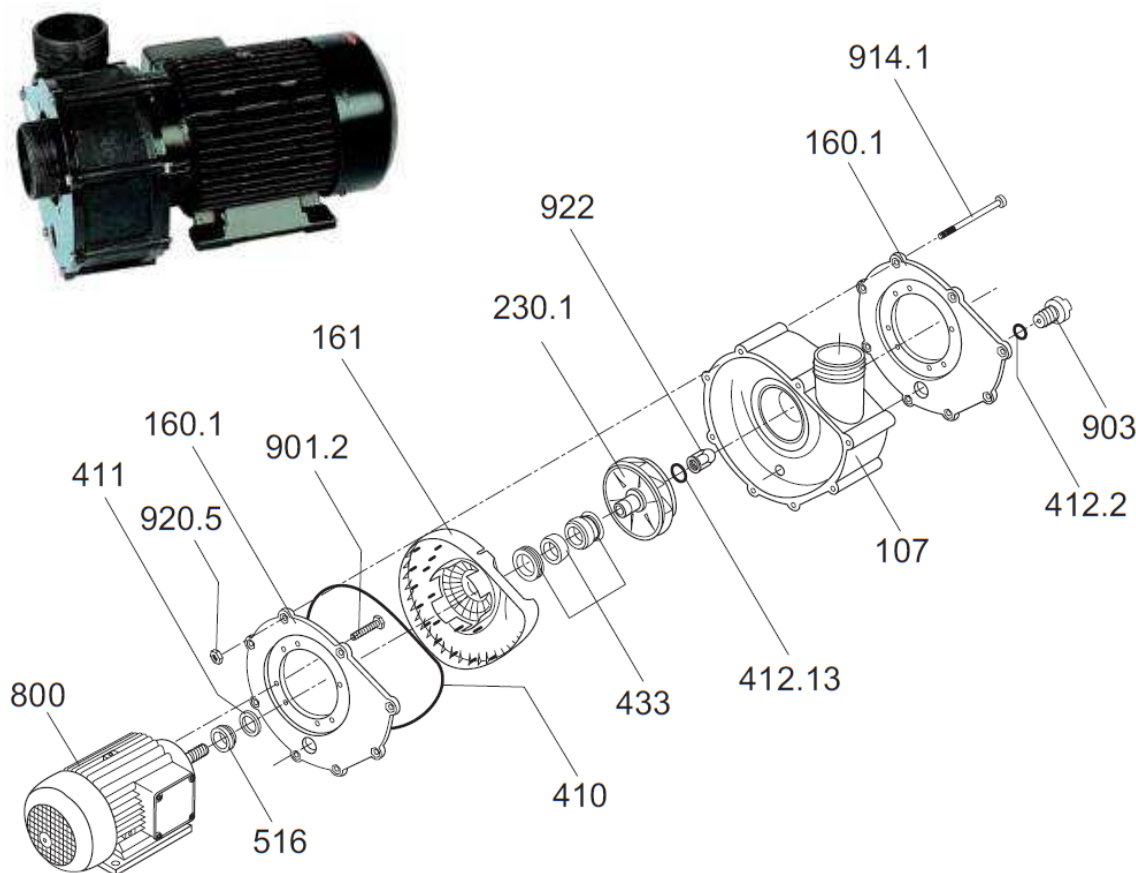
| Nr części BADU 21-41                                                       | Ilość | Art.nr       | Cena katalogowa netto w EURO |
|----------------------------------------------------------------------------|-------|--------------|------------------------------|
| 107                                                                        | 1     | 2923.410.704 | 65,74                        |
| 162                                                                        | 1     | 2901.216.103 | 54,00                        |
| 230.1 do BADU 21-41/53 G                                                   | 1     | 2923.423.001 | 53,28                        |
| 230.1 do BADU 21-41/53H G                                                  | 1     | 2923.423.002 | 92,23                        |
| 230.1 do BADU 21-41/54 G 230V.                                             | 1     | 2923.423.012 | 53,28                        |
| 230.1 do BADU 21-41/54 G 400V.                                             | 1     | 2923.423.003 | 53,28                        |
| 230.1 do BADU 21-41/54H G                                                  | 1     | 2923.423.004 | 92,23                        |
| 230.1 do BADU 21-41/55 G                                                   | 1     | 2923.423.005 | 53,28                        |
| 230.1 do BADU 21-41/55H G                                                  | 1     | 2923.423.022 | 92,23                        |
| 230.1 do BADU 21-41/55H9 G PU                                              | 1     | 2923.423.029 | 92,23                        |
| 230.1 do BADU 21-41/56 G                                                   | 1     | 2923.423.015 | 53,28                        |
| 230.1 do BADU 21-41/56H G                                                  | 1     | 2923.423.022 | 92,23                        |
| 230.1 do BADU 21-41/58 G                                                   | 1     | 2923.423.024 | 53,28                        |
| 230.1 do BADU 21-41/58H G                                                  | 1     | 2923.423.017 | 92,23                        |
| 412                                                                        | 1     | 2923.441.200 | 2,09                         |
| 412.7                                                                      | 1     | 2923.441.270 | 0,82                         |
| 412.11                                                                     | 1     | 2921.441.210 | 0,91                         |
| 433                                                                        | 1     | 2920.143.310 | 25,42                        |
| 507                                                                        | 1     | 5879.881.000 | 1,73                         |
| 507.1                                                                      | 1     | 2923.450.701 | 2,59                         |
| 582                                                                        | 1     | 2921.658.200 | 0,62                         |
| 721.1                                                                      | 1     | 2921.472.111 | 3,24                         |
| 721.1                                                                      | 1     | 2921.472.100 | 2,23                         |
| 800 230V do BADU 21-41/53 G i 21-41/53H G                                  | 1     | 2340.336.038 | 460,80                       |
| 800 230V do BADU 21-41/54 G i 21-41/54H G                                  | 1     | 2340.346.038 | 540,00                       |
| 800 230V do BADU 21-41/55 G i 21-41/55H G                                  | 1     | 2340.356.038 | 565,92                       |
| 800 230V do BADU 21-41/55H9 G PU                                           | 1     | 2950.022.002 | 1006,56                      |
| 800 230V do BADU 21-41/58 G 230V i 21-41/58H G 230V.                       | 1     | 2340.586.038 | 623,52                       |
| 800 400V do BADU 21-41/58 G 400V i 21-41/58H G 400V                        | 1     | 2340.586.037 | 668,16                       |
| 900 do BADU 21-41/53 G + H G i 21-41/54 G + H G                            | 4     | 2923.490.000 | 1,28                         |
| 900 do BADU 21-41/55 G + HG + H9 G PU, 21-41/56 G + H G i 21-41/58 G + H G | 4     | 2923.490.001 | 1,14                         |
| 900.1                                                                      | 8     | 2923.490.010 | 0,73                         |



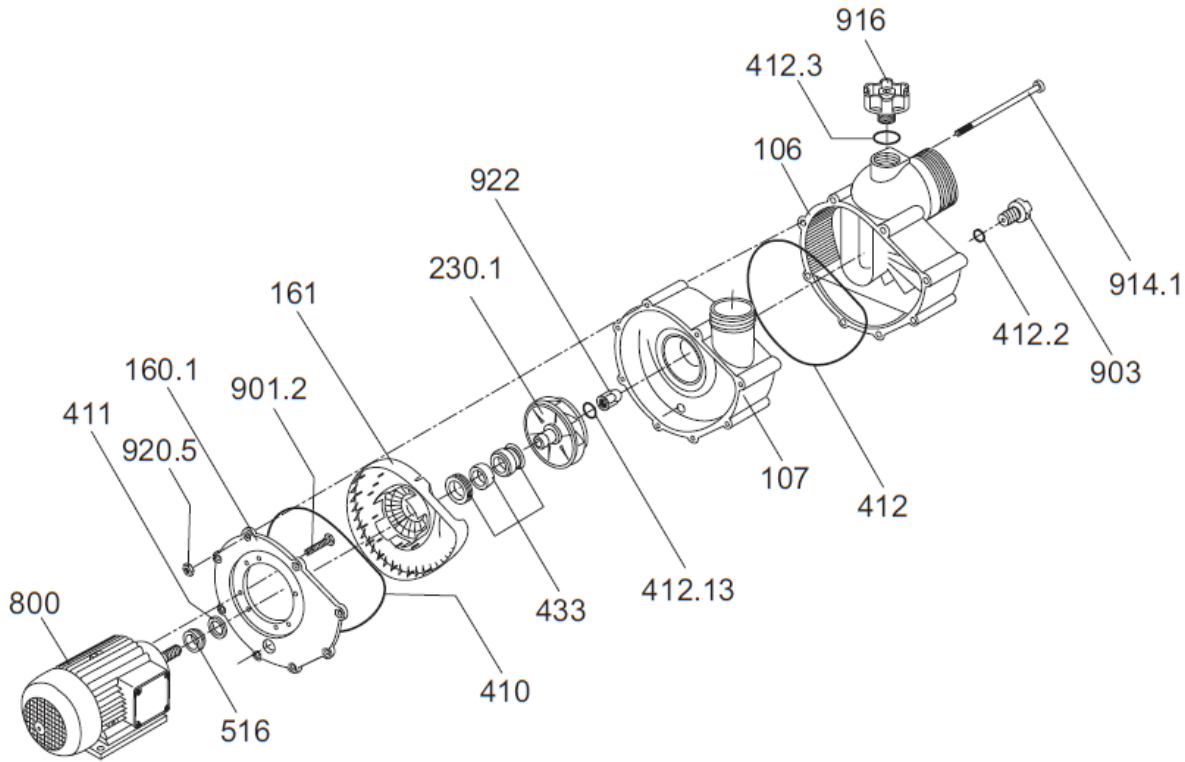
| Nr części BADU 21-50                                                                                         | Ilość | Art.nr       | Cena katalogowa netto w EURO |
|--------------------------------------------------------------------------------------------------------------|-------|--------------|------------------------------|
| 107 52/52 mm                                                                                                 | 1     | 2923.610.701 | 81,43                        |
| 107 G 2 3/4                                                                                                  | 1     | 2923.610.721 | 81,43                        |
| 107 do 21-50/43 GT 27" i 21-50/44 GT 27" do BADU Jet Smart                                                   | 1     | 2923.610.705 | 81,43                        |
| 161                                                                                                          | 1     | 2923.616.100 | 70,85                        |
| 230.1 (części 412.13 + 922) do BADU 21-50/42 i 21-50/42 G                                                    | 1     | 2923.623.011 | 64,94                        |
| 230.1 (części 412.13 + 922) do BADU 21-50/43 230V., 21-50/43 G 230V i 21-50/43 GT 27" 230V do BADU Jet Smart | 1     | 2923.623.020 | 64,94                        |
| 230.1 (części 412.13 + 922) do BADU 21-50/43 400V. I 21-50/43 G 400V.                                        | 1     | 2923.623.021 | 64,94                        |
| 230.1 (części 412.13 + 922) do BADU 21-50/44, 21-50/44 G i 21-50/44 GT 27" do BADU Jet Smart                 | 1     | 2923.623.023 | 64,94                        |
| 411                                                                                                          | 1     | 2923.141.100 | 0,20                         |
| 412                                                                                                          | 1     | 2923.141.220 | 3,02                         |
| 412.2                                                                                                        | 1     | 2923.541.220 | 0,42                         |
| 412.7                                                                                                        | 2     | 2923.641.270 | 5,04                         |
| 412.7 do BADU Jet Smart                                                                                      | 1     | 2923.641.270 | 5,04                         |
| 412.13                                                                                                       | 1     | 2923.541.222 | 1,38                         |
| 433 (części 411, 504 i 516)                                                                                  | 1     | 2920343.310  | 32,04                        |
| 504                                                                                                          | 1     | 2923.650.400 | 3,96                         |
| 515                                                                                                          | 1     | 2923.651.500 | 46,30                        |
| 516                                                                                                          | 1     | 2921.151.600 | 1,58                         |
| 554.4                                                                                                        | 8     | 5871.250.601 | 0,07                         |
| 566                                                                                                          | 4     | 2923.456.600 | 1,66                         |
| 800 230V do BADU 21-50/42 230V i 21-50/42 G 230V                                                             | 1     | 2350.426.038 | 807,84                       |
| 800 230V do BADU 21-50/43 230V i 21-50/43 G 230V i 21-50/43 GT 230V do BADU Jet Smart                        | 1     | 2380.316.038 | 957,60                       |
| 800 230V do BADU 21-50/44 230V i 21-50/44 G                                                                  | 1     | 2380.326.038 | 1160,64                      |
| 800 400V do BADU 21-50/42 400V i 21-50/42 G 400V                                                             | 1     | 2350.426.037 | 705,60                       |
| 800 400V do BADU 21-50/43 400V i 21-50/43 G 400V                                                             | 1     | 2380.316.037 | 812,16                       |
| 800 400V do BADU 21-50/44 400V, 21-50/44 G 400V i 21-50/44 GT 400V do BADU Jet Smart                         | 1     | 2380.326.237 | 900,00                       |
| 903                                                                                                          | 1     | 2923.591.201 | 0,59                         |
| 914                                                                                                          | 4     | 5819.120.816 | 0,14                         |
| 914.1                                                                                                        | 8     | 2920.191.000 | 0,82                         |
| 920.5                                                                                                        | 8     | 5879.340.600 | 0,19                         |
| 922                                                                                                          | 1     | 2923.592.202 | 9,86                         |



| Nr części BADU 21-60                          | Ilość | Art.nr       | Cena katalogowa netto w EURO |
|-----------------------------------------------|-------|--------------|------------------------------|
| 107                                           | 1     | 2923.610.722 | 95,18                        |
| 161                                           | 1     | 2923.616.100 | 70,85                        |
| 230.1(części 412.13 i 922) do BADU 21-60/43 G | 1     | 2923.623.036 | 73,94                        |
| 230.1(części 412.13 i 922) do BADU 21-60/44 G | 1     | 2902.023.006 | 73,94                        |
| 230.1(części 412.13 i 922) do BADU 21-60/45 G |       | 2923.123.034 | 73,94                        |
| 230.1(części 412.13 i 922) do BADU 21-60/46 G | 1     | 2923.623.041 | 73,94                        |
| 411                                           | 1     | 2923.141.100 | 0,20                         |
| 412                                           | 1     | 2920.141.220 | 3,02                         |
| 412.2                                         | 1     | 2923.541.220 | 0,42                         |
| 412.7                                         | 2     | 2923.641.270 | 5,04                         |
| 412.13                                        | 1     | 2923.541.222 | 1,38                         |
| 433(części 411 i 516)                         | 1     | 2920.343.310 | 32,04                        |
| 515                                           | 1     | 2923.651.500 | 46,30                        |
| 516                                           | 1     | 2921.151.600 | 1,58                         |
| 554.4                                         | 8     | 5871.250.601 | 0,07                         |
| 566                                           | 4     | 2923.456.600 | 1,66                         |
| 800 do BADU 21-60/43 G 230V                   | 1     | 2380.316.038 | 957,60                       |
| 800 do BADU 21-60/44 G 230V                   | 1     | 2380.326.038 | 1160,64                      |
| 800 do BADU 21-60/46 G 230V                   | 1     | 2380.336.038 | 1427,04                      |
| 800 do BADU 21-60/43 G 400V                   | 1     | 2380.316.037 | 812,16                       |
| 800 do BADU 21-60/44 G 400V                   | 1     | 2380.326.237 | 900,00                       |
| 801 do BADU 21-60/45 G 400V                   |       | 2380.326.037 | 1049,76                      |
| 800 do BADU 21-60/46 G 400V                   | 1     | 2380.336.037 | 1049,76                      |
| 903                                           | 1     | 2923.591.201 | 0,59                         |
| 914                                           | 4     | 5819.120.816 | 0,14                         |
| 914.1                                         | 8     | 2920.191.000 | 0,82                         |



| Nr części BADU 21-80                                                     | Ilość | Art.nr       | Cena katalogowa netto w EURO |
|--------------------------------------------------------------------------|-------|--------------|------------------------------|
| 107 do BADU 21-80/32, 21-80/31R i 21-80/32R                              | 1     | 2923.110.711 | 152,71                       |
| 107 do BADU 21-80/33 i 21-80/34                                          | 1     | 2923.110.713 | 152,28                       |
| 107 do BADU 21-80/32, 21-80/31R i 21-80/32R                              | 1     | 2923.110.721 | 152,71                       |
| 107 do BADU 21-80/33 G i 21-80/34 G                                      | 1     | 2923.110.723 | 152,28                       |
| 160.1                                                                    | 2     | 2923.116.010 | 58,61                        |
| 161                                                                      | 1     | 2923.116.100 | 70,99                        |
| 230.1(części 412.13 i 922) do BADU 21-80/31R i 21-80/31R G               | 1     | 2923.123.045 | 73,94                        |
| 230.1(części 412.13 i 922) do BADU 21-80/32R i 21-80/32R G silnik 2,2 kW | 1     | 2902.023.028 | 73,94                        |
| 230.1(części 412.13 i 922) do BADU 21-80/32 i 21-80/32 G silnik 2,2 kW   | 1     | 2902.023.006 | 73,94                        |
| 230.1(części 412.13 i 922) do BADU 21-80/33 230V i 21-80/33 G , 230 V    | 1     | 2923.123.039 | 73,94                        |
| 230.1(części 412.13 i 922) do BADU 21-80/33 400V i 21-80/33 G , 400V     | 1     | 2923.123.034 | 73,94                        |
| 230.1(części 412.13 i 922) do BADU 21-80/34 i 21-80/34 G                 | 1     | 2902.023.008 | 73,94                        |
| 410                                                                      | 1     | 2923.141.000 | 16,63                        |
| 411                                                                      | 1     | 2923.141.100 | 0,20                         |
| 412.2                                                                    | 1     | 2923.541.220 | 0,42                         |
| 412.13                                                                   | 1     | 2923.541.222 | 1,38                         |
| 433(części 411 i 516)                                                    | 1     | 2920.343.310 | 32,04                        |
| 516                                                                      | 1     | 2921.151.600 | 1,58                         |
| 800 230V do BADU 21-80/31R 230V i 21-80/31R G 230V                       | 1     | 2380.316.038 | 957,60                       |
| 800 230V do BADU 21-80/32R 230V i 21-80/32R G 230V                       | 1     | 2380.326.038 | 1160,64                      |
| 800 230V do BADU 21-80/33 230V i 21-80/33 G 230V                         | 1     | 2380.336.038 | 1427,04                      |
| 800 400V do BADU 21-80/31R 400V i 21-80/31R G 400V                       | 1     | 2380.316.037 | 812,16                       |
| 800 400V do BADU 21-80/32R 400V i 21-80/32R G 400V                       | 1     | 2380.326.237 | 900,00                       |
| 800 400V do BADU 21-80/32 400V i 21-80/32 G 400V                         | 1     | 2380.326.037 | 1049,76                      |
| 800 400V do BADU 21-80/33 400V i 21-80/33 G 400V                         | 1     | 2380.336.037 | 1049,76                      |
| 800 400V do BADU 21-80/34 i 21-80/34 G                                   | 1     | 2380.346.037 | 1451,52                      |
| 901.2                                                                    | 4     | 5879.330.816 | 0,24                         |
| 903                                                                      | 1     | 2923.591.201 | 0,59                         |
| 914.1                                                                    | 8     | 2920.191.000 | 0,82                         |



| Nr części BADU 21-80 S                                                 | Ilość | Art.nr       | Cena katalogowa netto w EURO |
|------------------------------------------------------------------------|-------|--------------|------------------------------|
| 106 82 mm                                                              | 1     | 2923.210.610 | 198,65                       |
| 106 G 2 3/4                                                            | 1     | 2923.210.620 | 198,65                       |
| 107 do BADU 21-80/32 S, 21-80/33 S i 21-80/32R S                       | 1     | 2923.210.712 | 169,49                       |
| 107 do BADU 21-80/34 S                                                 | 1     | 2923.210.714 | 186,05                       |
| 107 do BADU 21-80/32 SG, 21-80/33 SG i 21-80/32R SG                    | 1     | 2923.210.722 | 169,49                       |
| 107 do BADU 21-80/34 SG                                                | 1     | 2923.210.724 | 186,05                       |
| 160.1                                                                  | 1     | 2923.116.010 | 58,61                        |
| 161                                                                    | 1     | 2923.116.100 | 70,99                        |
| 230.1 (części 412.12 i 922) do BADU 21-80/32R S i 21/32R SG            | 1     | 2923.223.015 | 73,94                        |
| 230.1 (części 412.12 i 922) do BADU 21-80/32 S i 21-80/32 SG           | 1     | 2923.223.012 | 73,94                        |
| 230.1 (części 412.12 i 922) do BADU 21-80/33 S 230V i 21-80/33 SG 230V | 1     | 2923.223.017 | 73,94                        |
| 230.1 (części 412.12 i 922) do BADU 21-80/33 S 400V i 21-80/33 SG 400V | 1     | 2923.223.013 | 73,94                        |
| 230.1 (części 412.12 i 922) do BADU 21-80/34 S i 21-80/34 SG           | 1     | 2923.223.014 | 137,09                       |
| 410                                                                    | 1     | 2923.141.000 | 16,63                        |
| 411                                                                    | 1     | 2923.141.100 | 0,20                         |
| 412                                                                    | 1     | 2923.241.200 | 4,61                         |
| 412.2                                                                  | 1     | 2923.541.220 | 0,42                         |
| 412.3                                                                  | 1     | 2922.041.230 | 0,72                         |
| 412.13                                                                 | 1     | 2923.541.222 | 1,38                         |
| 433 (części 411 i 516)                                                 | 1     | 2920.343.310 | 32,04                        |
| 516                                                                    | 1     | 2921.151.600 | 1,58                         |
| 800 230V do BADU 21-80/32R S 230V i 21-80/32R SG 230V                  | 1     | 2380.326.038 | 1160,64                      |
| 800 230V do BADU 21-80/33 S 230V i 21-80/33 SG 230V                    | 1     | 2380.336.038 | 1427,04                      |
| 800 400V do BADU 21-80/32R S 400V i 21-80/32R SG 400V                  | 1     | 2380.326.237 | 900,00                       |
| 800 400V do BADU 21-80/32 S 400V i 21-80 SG 400V                       | 1     | 2380.326.037 | 1049,76                      |
| 800 400V do BADU 21-80/33 S 400V i 21-80/33 SG 400V                    | 1     | 2380.336.037 | 1049,76                      |
| 800 400/690V do BADU 21-80/34 S i 21-80/34 SG                          | 1     | 2380.346.037 | 1451,52                      |
| 901.2                                                                  | 4     | 5819.330.816 | 0,12                         |
| 903                                                                    | 1     | 2923.591.202 | 2,66                         |
| 914.1                                                                  | 8     | 2923.291.001 | 3,38                         |
| 916                                                                    | 1     | 2922.091.600 | 7,27                         |
| 920.5                                                                  | 8     | 5879.340.600 | 0,19                         |
| 922                                                                    | 1     | 2923.592.202 | 9,86                         |